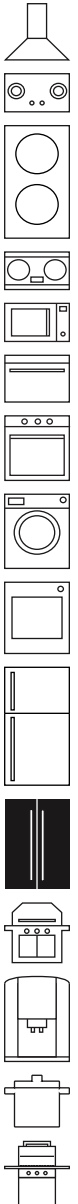



PTW20 Degas
Freestanding 20 - Bottles Thermoelectric Winecellar



REMINDER:
This unit is best suited to be used in an environment temperature of 25-27°C

 **25 °C to 27 °C** environment

Please refer to the instruction manual

KEEP IN A SAFETY PLACE
Before operating this winecellar,
Please read the instruction carefully

Congratulations!

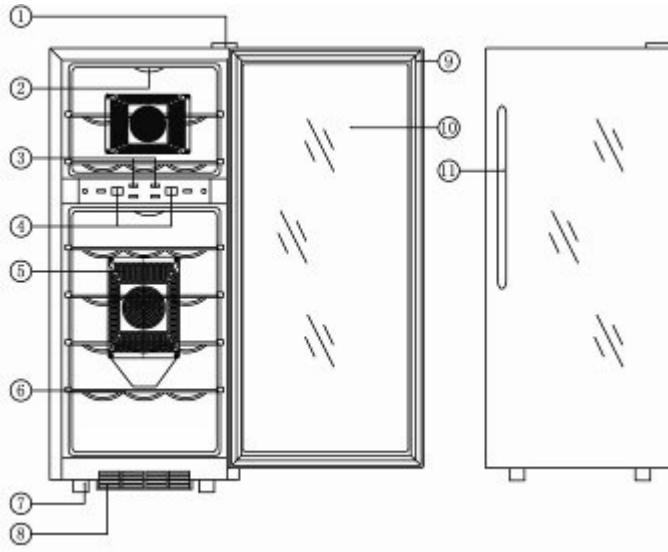
Your purchase of a PACIFICA® product attests to the importance you place upon the quality and performance of the major appliances you use. With minimal care, as outlined in this guide, your product is designed to provide you with years of reliable service. Please take a few minutes to learn about its proper and efficient use and care. This guide will provide you with the information you need to become familiar with your product's care and operation. Your complete satisfaction is our ultimate goal.

If you have any questions or comments about this product, please contact the dealer from whom you purchased it, or contact our Consumer Support Centre at 03-7805 7725. We appreciate your choosing our product, and hope that you will again select our products for your other major appliance needs. For more information about the complete and growing selection of PACIFICA® products, contact your nearest dealer or e-mail us at info@pacificamyl.com

Content

| | | |
|----|-------------------------------------|---|
| 1. | Structure | 4 |
| 2. | Technical Data | 4 |
| 3. | Important Safety Instructions | 5 |
| 4. | Installation Instructions | 6 |
| 5. | Electrical Connection | 6 |
| 6. | Built-in Measurements | 7 |
| 7. | Operating Instructions | 8 |
| 7. | Care and Maintenance | 8 |
| 8. | Troubleshooting | 9 |

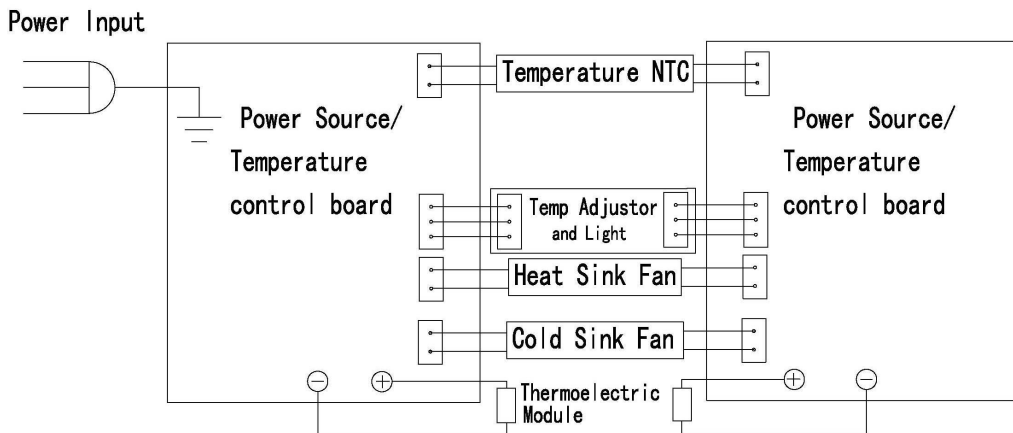
Structure



- | | |
|---------------------------|---------------------|
| 1. Hinge | 7. Adjustable stand |
| 2. Light | 8. Air chamber |
| 3. Temperature controller | 9. Door frame |
| 4. Temperature display | 10. Glass |
| 5. Fan grille | 11. Door handle |
| 6. Shelf | |

Technical Data

Electric Circuit Diagram:



| | |
|---------------------------------|-------------------|
| Model no. | PTW20 |
| Capacity | 60L |
| Voltage | 220-240V |
| Current | 1A (25°C/77°F) |
| Climate class | SN;N;T |
| Input power | 140W |
| Power Consumption (KW.h/24h) | 1.2(15°C/59°F) |
| Max Temperature Difference | > 18°C(64°F) |
| Temperature Control Range | 12-18°C/15-18°C |
| Net weight | 21.4kg |
| Gross weight | 23.5kg |
| Product size(W×H×D) | 34.0×84.0×51.5 CM |
| Packing size(W×H×D) | 38.2×87.0×55.0 CM |

Important Safety Instructions

⚠ WARNING

To reduce the risk of fire, electrical shock, or injury when using your appliance, please follows these basic precautions:

- Read all the stated instructions before using this wine cellar.
- This appliance is dangerous to children if it is not dispose away in appropriate means.
- Before you dump away this appliance or your old wine cellar, you must take off the door, the door handle and the shelves away from the wine cellar and dispose these items separately.
- Never allow children to operate, play with or go into this appliance.
- Never clean this appliance and its parts with flammable fluids as it may cause fire hazard or explosion.
- Do not store or use gasoline or any other flammable liquid or material in the vicinity of this appliance as it may cause fire hazard or explosion.
- Do not store food in this appliance.

Installation Instructions

Before using this wine cellar, ensure the followings is take care of:

- Remove the exterior and interior packing
- Check the following parts are properly fixed:
 - o 5 Sliding shelves.
 - o Instruction manual is provided.
- Before connecting the appliance to the power source, after 2 hours upright position. This will reduce the possibility of a malfunction in the cooling system after the fluctuating transportation and installation phase.
- Clean the interior surface with warm water and soft cloth.
- Place your appliance on solid ground or firm surface that is strong enough to support the appliance when it is fully loaded. To level your appliance, adjust the front legs at the bottom of this appliance.
- Place appliance away from direct sunlight and sources of heat (stove, heater, radiator, etc.) as it may cause the appliances to perform poorly. Direct sunlight may affect the acrylic coating and the heat source from sunlight may increase electrical consumption of the appliance.

Electrical Connection

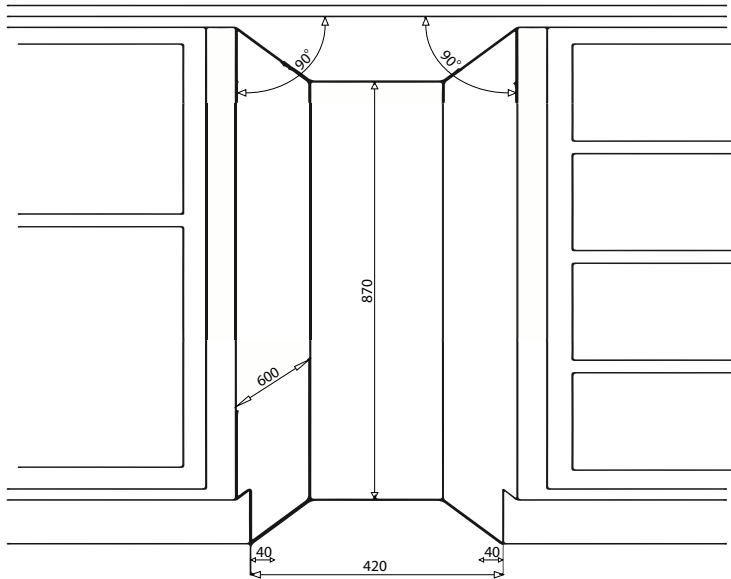
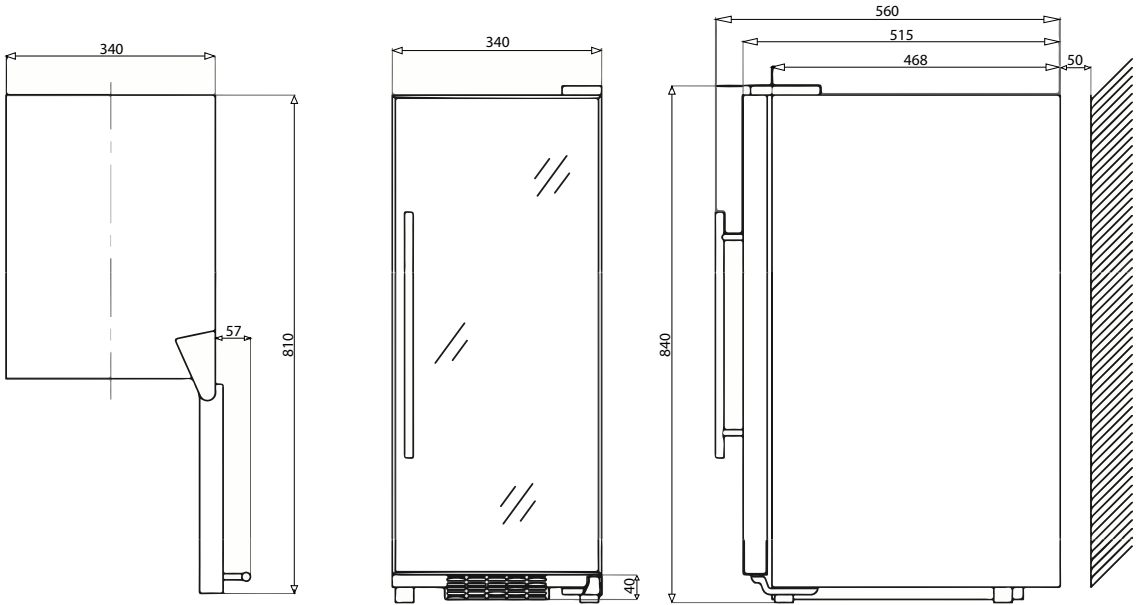
▲ WARNING

Improper use of the grounded plug can result in the risk of electrical shock. If the power cord is damaged, have the plug immediately authorised service technician.

This winecellar should properly install for safety reason. The power cord is equipped with a 3-pin plug and plus into 3-pin wall socket to minimize the possibility of electrical shock. Under any circumstances, do not cut or remove the ground wire from the power cord supplied.

- Use of extension cords is not recommended.
- This cellar requires a standard 240V-50HZ electrical supplier and a 13amp 3-pin plug cellar.
- The cord should secured behind the wine cellar. Do not let it exposed or dangling to prevent accidental injury.

Built Under Installation for Thermoelectric Cellar



Please provide sufficient spacing gap between left & right 40mm (4cm), height 870mm (87cm), behind 50mm (5cm) from the wall.

Operating Instructions

It is recommended that you installed the wine cellar in a place best with ambient temperature is between 25°C - 27°C (77°F - 80.6°F).

- If the ambient temperature is above recommended temperature, the performance of the unit may be able to reach below 16°C. Do not placing the appliances in extreme cold or hot conditions may cause the interior temperature to fluctuate.
- Condensation or moisture away from on the exterior glass or sometime if the weather change to warm too frequent. Please observe, if happen use clean cloth to wipe away the moisture on glass

How to use the Display Panel:

- You can set the temperature on to 16°C - 18°C for red wine. There are two buttons on the panel, “+” and “-” adjusting the temperature by 1°C, between 12°C for top compartment / 15°C - 18°C for bottom compartment.
- You can switch on the interior light by pressing the “Light” icon.

Care and Maintenance

Cleaning your wine cellar:

- Switch off winecellar and remove the wine bottles.
- Wash and clean cellar interior using warm water and baking soda solution. The ratio should be about 2 tablespoons of baking soda to quart of water.
- The exterior of wine cellar should be cleaned with mild detergent and warm water.
- Draw out the water box at the bottom, and wash & wipe it from time to time, if there is water on the bottom surface.

Moving your wine cellar:

- Remove wine bottles from the wine cellar.
- Securely tape wooden rack inside wine cellar.
- Turn the levelling legs up to the base to avoid damage.
- Seal the glass door with tape.
- Ensure the wine cellar stays in the upright position during transportation.

Troubleshooting

| PROBLEM | POSSIBLE CAUSE | REMEDIES |
|-------------------------------------|--|--|
| Wine cellar does not operate. | The plug is not plugged in. The local power supply is different from the appliance's requirement. The circuit breaker tripped or blown fuse. | Insert the plug into the socket. Call the customer service for further advice. Call the customer service for repairing appointment. |
| Wine cellar is not cold enough. | Check the temperature control setting. (16°C - 27°C) The ambient temperature above 25°C - 27°C. The door opens too often. The door is not closed completely. The door seal is loose. The wine cellar does not have the correct clearance (for built under installation). The cellar is placed too near a heat source/sunlight. | Adjust temperature setting. Shift the cellar to cooler room/areas. Ensure the door is always closed firmly, if continued call customer service for replacing new rubber seal. Shift the wine cellar to other place with larger space (built-in size suggest) for better ventilation. Ensure spacing given as per page 7. Shift the wine cellar away from the heat source/ direct sunlight is not suitable. |
| The light does not work. | The power is not on yet. The "Light button is jammed. | Switch on the power. Call customer service for checking or repairing appointment. |
| The wine cellar is making noise. | The wine cellar is not level. The fan is not working properly. | Adjust the flexible stand below to make it level/balance. Call customer service for checking or repairing appointment. |
| The door cannot be closed properly. | The seal is torn or loose. The shelves are out of position. | Call customer service for replacing new seal. Rearrange the shelves back to proper place. |

Service and Important Notice

Upon receipt and inspection of the unit, if supply cord is damaged then it must be replaced.

For any additional information or questions, please contact the customer service.


*The warranty Purchase receipt is required when you call customer service for checking, repairing appointment.


⚠ WARNING

Please do not use where children can touch the unit, nor let children use the unit by themselves.

Menara Lien Hoe (HQ)

Lot 18.2, 18th Floor,
Menara Lien Hoe,
8, Persiaran Tropicana,
47410 Petaling Jaya,
Selango

 03-780-577-25

 012-228 5727

 info@pacificam.my

 pacificam.my

 **pacificam**