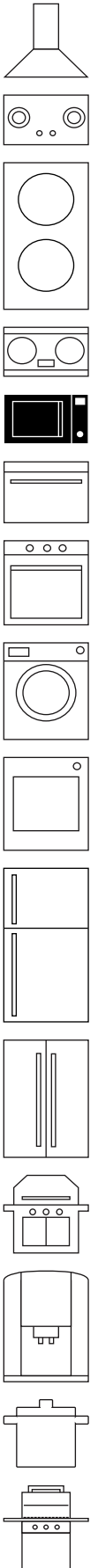


ACM1 Signal

Built-in Microwave Oven



KEEP IN A SAFETY PLACE
Before operating this microwave oven,
Please read the instruction carefully

Welcome to the Pacifica family.

Congratulations and thank you for choosing a first class product from Pacifica Appliances. Our appliances are designed to be easy to use and engineered for reliable performance for years to come. Please take a few minutes to study this manual so that you can take advantage of the benefits of your new appliance. To avoid the risks that are always present when you use an electrical appliance, it is important that your product is installed correctly and that you have read the safety instructions carefully to avoid misuse and potential hazards.

IMPORTANT

Register your product!

Please ensure that you complete this warranty registration and send this to us before using your product. Registration is a condition of full warranty. Otherwise, an unregistered product will only be given a default standard product warranty of 6 months and you will be required to present a legitimate proof of purchase at point of service. Failure to do so may result in charges for call-outs, delivery, parts and labour to be fully borne by customer; or in certain cases, even refusal of service coverage.

IMPORTANT

Save these instructions!

The models shown in this manual may not be available in all markets and are subject to change at any time. It is important that this manual should be retained with your product for future reference. Should the appliance be sold or transferred to another owner, please ensure that the manual is left with the appliance. This will ensure that the new owner can familiarise themselves with the information and warnings contained within the manual.

IMPORTANT

Read before use!

Please read this manual carefully before you attempt to operate this appliance and keep this manual safe for future reference. This appliance and its packaging were manufactured using a pollution-minimising method and therefore, please help us continue the effort by using this appliance rationally and efficiently. If you wish to discard this product, please contact your local municipal council or authorities and ask for the correct method of disposal without damaging the environment.

IMPORTANT

Take precautions to avoid exposure to excessive microwave energy!

Do not attempt to operate this oven with the door open since this can result in harmful exposure to microwave energy. It is important not to break or tamper with the safety interlocks. Do not place any object between the oven front face and the door or allow soil or cleaner residue to accumulate on sealing surfaces.

⚠ WARNING!



Electric Shock Hazard

Read and follow the SAFETY AND WARNINGS outlined in this User Guide before operating this appliance .

Failure to do so can result in death, electric shock fire or injury to persons.

WARNING

Direct exposure to microwave energy is harmful!

To reduce the risk of fire, electric shock, injury to persons or exposure to excessive microwave oven energy when using your appliance, follow the basic precautions as set out in this manual. If the door or door seals are damaged, the oven must not be operated until repaired by an authorised technician. If the apparatus is not maintained in a good state of cleanliness, its surface could degrade and affect the lifespan of the apparatus, leading to a dangerous situation. Do not disassemble this appliance.

IMPORTANT

Do not repair this appliance by yourself!

It is hazardous for anyone other than an authorised service technician person to carry out any service or repair operation that involves the removal of the cover, which gives protection against exposure to microwave energy.

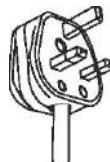
Safety Remarks

1. You may cause fire if you do not follow the recommended cleaning procedure in this manual to clean this appliance.
2. **Warning:** Liquids and other foods must not be heated in sealed containers since they are liable to explode.
3. **Warning:** It is dangerous for anyone other than an authorised technician to remove the reflective coating or cover on the door of the microwave oven, which gives protection against exposure to microwave energy.
4. **Warning:** Only allow children to use the oven without supervision when adequate instructions have been given so that the child is able to use the oven in a safe way and understand the hazards of improper use.
5. **Warning:** When the appliance is operated in the combination mode, children should only use the oven under adult supervision due to the high temperatures generated.
6. Only use utensils suitable for use in microwave ovens.
7. The oven should be cleaned regularly and any food deposits should be removed.

8. When heating food in plastic or paper containers, keep an eye on the oven due to the possibility of ignition.
9. If smoke is observed, switch off or unplug the appliance and keep the door closed in order to stifle any flames.
10. Do not overcook food.
11. Do not use the oven cavity for storage purposes. Do not store items, such as bread, cookies, etc. inside the oven.
12. Remove wire twist-ties and metal handles from paper or plastic containers or bags before placing them in the oven.
13. Install or locate this oven only in accordance with the installation instructions provided.
14. Eggs in the shell and whole hard-boiled eggs should not be heated in microwave ovens since they may explode, even after microwave heating has ended.
15. Use this appliance only for its intended uses as described in manual. Do not use corrosive chemicals or vapours in this appliance. This oven is designed only to heat or reheat food. It is not designed for industrial or laboratory use.
16. If the supply cord is damaged, it must be replaced by the manufacturer, a service agent or similarly-qualified person in order to avoid a potential hazard.
17. Do not store or use this appliance outdoors.
18. Do not use this oven near water, in a wet basement or near a swimming pool.
19. The temperature of accessible surfaces may be high when the appliance is operating. The surfaces are liable to get hot during use. Keep cords away from heated surface, and do not cover any vents on the oven.
20. Do not let cord hang over edge of table or counter.
21. Failure to maintain the oven in a clean condition could lead to deterioration of the surface that could adversely affect the life of the appliance and possibly result in a hazardous situation.
22. The contents of feeding bottles and baby food jars shall be stirred or shaken and the temperature checked before consumption, in order to avoid burns.
23. Microwave heating of beverages can result in delayed eruptive boiling, therefore care must be taken when handling the container.
24. The appliance is not intended for use by persons (including children) with reduced physical, sensory or mental capabilities, or lack of experience and knowledge, unless they have been given supervision or instruction concerning use of the appliance by a person responsible for their safety.
25. Children should be supervised to ensure that they do not play with the appliance.
26. The microwave oven shall not be placed in a cabinet unless it has been tested in a cabinet.
27. This appliance is not intended to be operated by means of an external timer or separate remote-control system.
28. **Warning:** Ensure that the appliance is switched off before replacing the lamp to avoid the possibility of electric shock.
29. Accessible parts may become hot during use. Young children should be kept away steam cleaner is not to be used.
30. The surface of a storage drawer may get hot.
31. During use the appliance becomes hot. Care should be taken to avoid touching heating elements inside the oven.
32. The rear surface of appliance shall be placed against a wall.

Electric Cord and Power Connection

1. Make sure the electric cord has met local safety standards.
2. Make sure the electric cord is not exposed to any heat source, chemicals or sharp objects.
3. If the electric cord is damaged, please replace it with the same standard electric cord by an authorised or qualified professional.
4. Do not replace the existing bulb of the appliance.
5. Ensure that the appliance complies with the local power supply.
6. The electric connection of this appliance must be earthed, if the user is unsure of the details, please get a qualified electrician to work on it. The colour codes for the cord are Green and Yellow = Earth; Blue = Neutral; Brown = Live
7. **Warning:** Do not disassemble this appliance. Touching some of the internal components can cause serious personal injury or death.
8. **Warning:** Improper use of the grounding can result in electric shock. Do not plug into an outlet until appliance is properly installed and grounded.



This appliance must be grounded. In the event of an electrical short circuit, grounding reduces the risk of electric shock by providing an escape wire for the electric current. This appliance is equipped with a cord having a grounding wire with a grounding plug. The plug must be plugged into an outlet that is properly installed and grounded. Consult a qualified electrician or serviceman if the grounding instructions are not completely understood or if doubt exists as to whether the appliance is properly grounded. If it is necessary to use an extension cord, use only a 3-wire extension cord.

Cleaning and Maintenance

1. Be sure to unplug the appliance from the power supply.
2. Clean the inside of the oven after using with a slightly damp cloth.
3. Clean the accessories in the usual way in soapy water.
4. Do not use corrosive solvents to clean the appliance.
5. Do not use harsh abrasive cleaners or sharp metal scrapers to clean the oven door glass since they can scratch the surface, which may result in shattering of the glass.
6. The doorframe and seal and neighbouring parts must be cleaned carefully with a damp cloth when they are dirty.
7. A short power-supply cord is provided to reduce the risks resulting from becoming entangled in or tripping over a longer cord. If a long cord set or extension cord is used:
 - a. The marked electrical rating of the cord set or extension cord should be at least as great as the electrical rating of the appliance.
 - b. The extension cord must be a grounding-type 3-wire cord.

- c. The long cord should be arranged so that it will not drape over the counter top or tabletop where it can be pulled on by children or tripped-over unintentionally.

WARNING

Do not use metallic utensils in the microwave!

There may be certain non-metallic utensils that are not safe to use for microwaving. If in doubt, you can test the utensil in question following the procedure below. Not following this instruction may result in exposure to dangerous microwave energy resulting in personal injury, and possible death.

CAUTION

Use only microwave-safe utensils with the appliance!

To test whether or not the utensil is safe to be used with the appliance, to a quick test using the following steps.

- 1 Fill a microwave-safe container with 1 cup of cold water (250ml) along with the utensil in question.
- 2 Cook on maximum power for 1 minute.
- 3 Carefully feel the utensil. If the empty utensil is warm, do not use it for microwave cooking.
- 4 Do not exceed a 1-minute cooking time.

Utensils Remarks

Materials you can use in the microwave oven:

1. **Aluminum foil:** For shielding only. Small smooth pieces can be used to cover thin parts of meat or poultry to prevent overcooking. **Caution:** Arcing can occur if foil is too close to oven walls. The foil must be at least 1 inch (2.5cm) away from oven walls.
2. **Browning dish:** Follow manufacturer's instructions. The bottom of browning dish must be at least 3/16 inch (5mm) above the turntable. **Caution:** Incorrect usage may cause the turntable to break.
3. **Dinnerware:** Microwave-safe dishes only. Follow manufacturer's instructions. **Important:** Do not use cracked or chipped dishes.
4. **Glass jars:** Always remove lid. Use only to heat food until just warm. Most glass jars are not heat-resistant and may break.
5. **Glassware:** Heat-resistant oven glassware only. **Important:** Make sure there is no metallic trim. Do not use cracked or chipped dishes.
6. **Oven cooking:** Follow manufacturer's instructions. **Important:** Do not close with metal tie. Make bags slits to allow steam to escape.
7. **Paper plates:** Use for short-term cooking or warming only. **Important:** Do not leave oven unattended and cups while cooking.
8. **Paper towels:** Use to cover food for reheating and absorbing fat. Use with supervision for a short-term cooking only.
9. **Parchment:** Use as a cover to prevent splattering or a wrap for steaming.
10. **Plastic:** Microwave-safe only. Follow the manufacturer's instructions. Should be labeled "Microwave Safe". Some plastic containers soften, as the food inside gets hot. "Boiling bags" and tightly closed plastic bags should be slit, pierced or vented as directed by package.
11. **Plastic wrap:** Microwave-safe only. Use to cover food during cooking to retain moisture. **Caution:** Do not allow plastic wrap to touch food.
12. **Thermometers:** Microwave-safe only (meat and candy thermometers).
13. **Wax paper:** Use as a cover to prevent splattering and retain moisture.

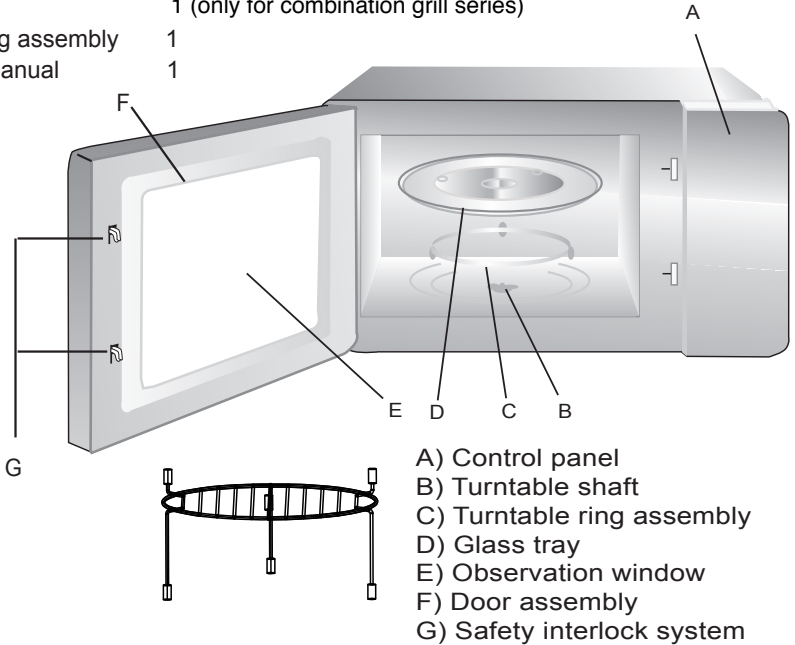
Warning: Materials that must be avoided in microwave oven:

1. **Aluminum tray:** May cause arcing. Transfer food into microwave-safe dish.
2. **Food carton with metal handle:** May cause arcing. Transfer food into microwave-safe dish.
3. **Metal or metal-trimmed utensils:** Metal shields the food from microwave energy. Metal trim may cause arcing.
4. **Metal twist ties:** May cause arcing and could cause a fire in the oven.
5. **Paper bags:** May cause a fire in the oven.
6. **Plastic foam:** Plastic foam may melt or contaminate the liquid inside when exposed to high temperature.
7. **Wood:** Wood will dry out when used in the microwave oven and may split or crack.

Getting Started

Remove all materials from the oven cavity. Your oven should come with the following accessories:

- | | |
|-------------------------|---------------------------------------|
| Glass tray | 1 |
| Grill rack | 1 (only for combination grill series) |
| Turntable ring assembly | 1 |
| Instruction Manual | 1 |



Turntable Installation

1. Never place the glass tray upside-down.
2. The glass tray should never be restricted.
3. Both glass tray and turntable ring assembly must always be used during cooking.

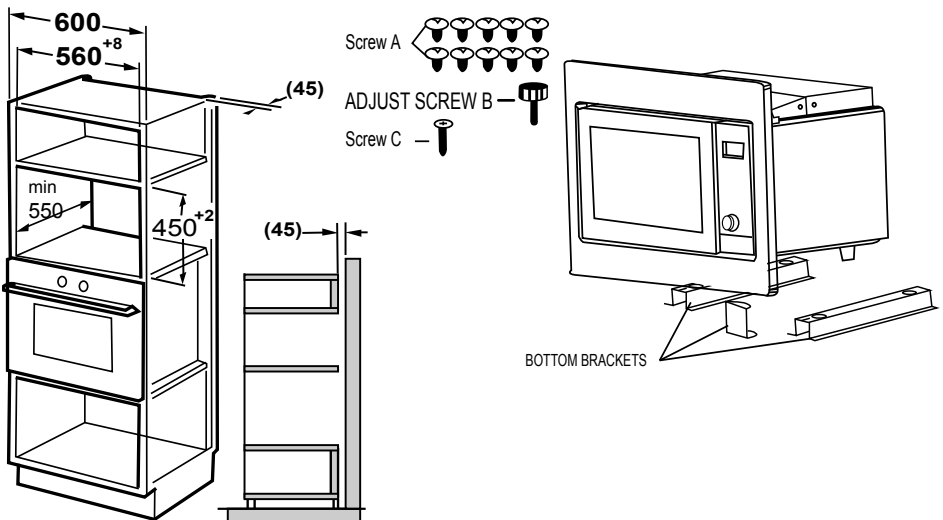
4. All food and containers of food are always placed on the glass tray for cooking.
5. If glass tray or turntable ring assembly cracks or breaks, contact your nearest authorised service centre.

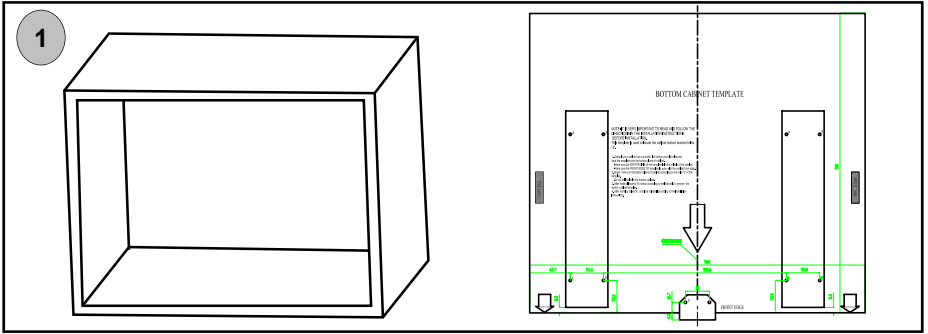
Connection

1. This appliance is only intended for domestic use.
2. This oven is intended for built-in use only. It is not intended for counter-top use or for use inside a cupboard.
3. Please observe the special installation instructions.
4. The appliance can be installed in a 60cm wide wall mounted cupboard (at least 55cm deep and 85cm off the floor).
5. The appliance is fitted with a plug and must only be connected to a properly installed earthed socket.
6. The mains voltage must correspond to the voltage specified on the rating plate.
7. The socket must be installed and connecting cable must only be replaced by a qualified electrician.
8. If the plug is no longer accessible following installation, an all-pole disconnecting device must be present on the installation side with a contact gap of at least 3mm.
9. Adapters, multi-way strips and extension leads must not be used. Overloading can result in a risk of fire.

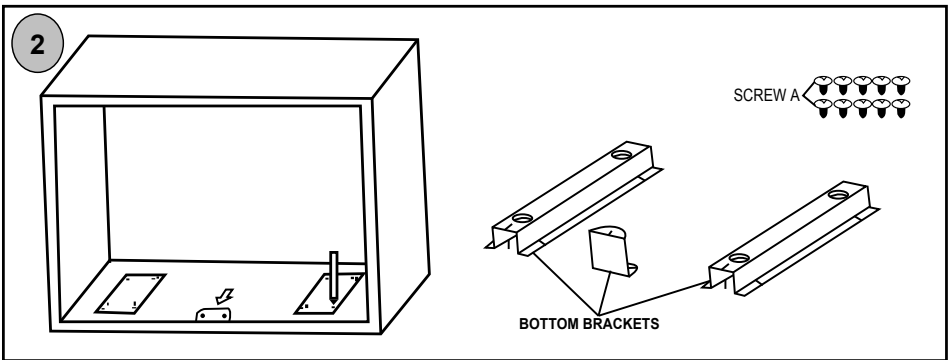
Installation

1. The built-in cabinet shall not have a rear wall behind the appliance.
2. Minimum installation height is 85cm.
3. Do not cover ventilation slots and air intake points.





1. Read the instruction on the **BOTTOM CABINET TEMPLATE**, put the template on the bottom plane of cabinet.

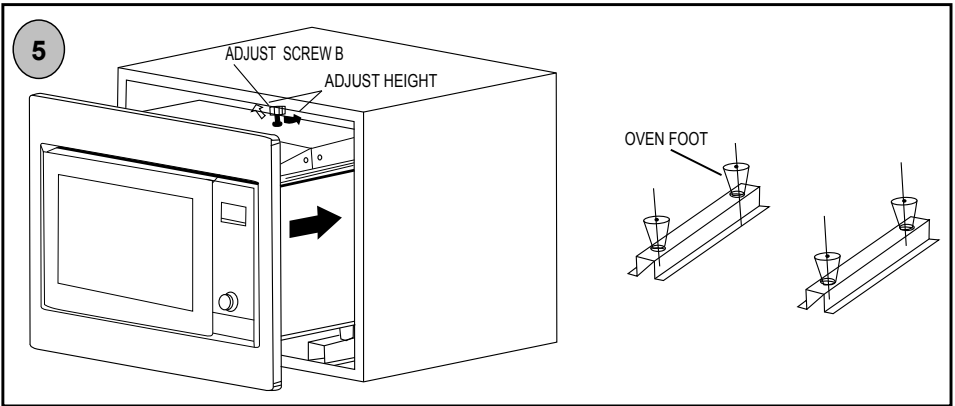
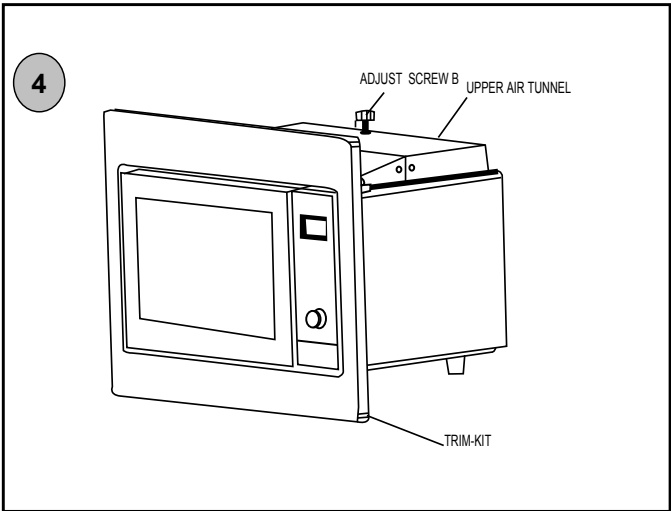
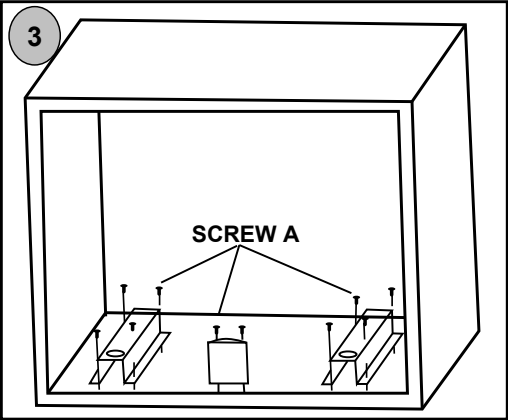


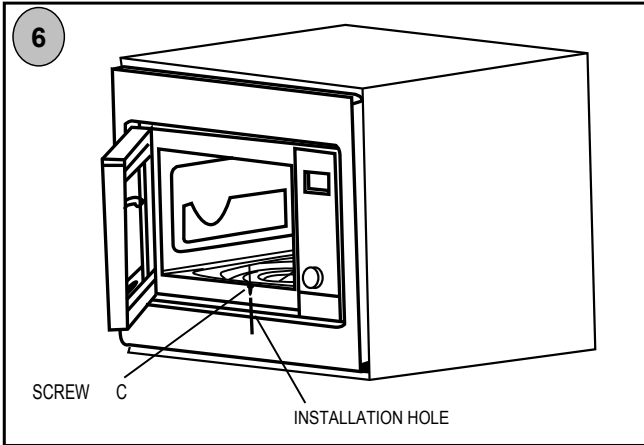
Preparation of the Cabinet

1. Read the instruction on the bottom cabinet template, put the template on the bottom plane of cabinet.
2. Make marks on the bottom plane of cabinet according to marks “a” of the template.
3. Remove the bottom cabinet template, and fix the bottom brackets with Screw A.
4. Fix Screw B on the upper air tunnel of the oven.

Installation of the Oven

1. Install the oven into the cabinet.
2. Adjust the height of Screw B to keep 1mm gap between Screw B and the top plane of cabinet.
3. Make sure that the oven feet are aligned with the grooves of brackets when install the oven into the cabinet.
4. Do not trap or kink the power cord.
5. Open the door; fix the oven to the cabinet with Screw C at the installation hole of the trim kit.





Operating Instructions



IMPORTANT

Be careful when using the appliance!

The accessible surface of the oven may be hot during operation.

⚠ WARNING!



Electric Shock Hazard

Read and follow the SAFETY AND WARNINGS outlined in this User Guide before operating this appliance .



Failure to do so can result in death, electric shock fire or injury to persons.

This microwave oven uses modern electronic control to adjust cooking parameters to meet your needs better for cooking.



1. Make sure the electric cord has met local safety standards.
2. Make sure the electric cord is not exposed to any heat source, chemicals or sharp objects.
3. If the electric cord is damaged, please replace it with the same standard electric cord by an authorised or qualified professional.
4. Do not replace the existing bulb of the appliance.

Clock Setting

When the microwave oven is electrified, the oven will display "0:00"; its buzzer will ring once.

1. Press "**CLOCK / PRE-SET**" to choose 12-hour or 24-hour.
2. Turn " " to adjust the hour figures, the input time should be within 0—23 (24-hour) or 1—12 (12-hour).
3. Press "**CLOCK/PRE-SET**", the minute figures will flash.
4. Turn " " to adjust the minute figures, the input time should be within 0—59.
5. Press "**CLOCK/PRE-SET**" to finish clock setting. ":" will flash.
6. **Note:**
 - a. If the clock is not set, the appliance will not function when powered.
 - b. During the process of clock setting, if you press "**STOP / CLEAR**", the oven will go back to its previous status automatically.

Microwave Cooking



1. Press the "**MICROWAVE**" key once, and "P100" display.
2. Press "**MICROWAVE**" for times or turn " " to select the microwave power from 100% to 10%. "P100", "P80", "P50", "P30", "P10" will display in order.
3. Press "**START / +30SEC. / CONFIRM**" to confirm.
4. Turn " " to adjust the cooking time. (The time setting should be 0:05-95:00.)
5. Press "**START / +30SEC. / CONFIRM**" to start cooking.
6. **Note:**

The step quantities for the adjustment time of the coding switch are as follows:
0—1 min: 5 seconds 1—5 min: 10 seconds 5—10 min: 30 seconds
10—30 min: 1 minute 30—95 min: 5 minutes



Microwave Power Chart

Press	Once	Twice	Thrice	4 times	5 times
Microwave Power	100%	80%	50%	30%	10%

Grill Cooking

1. Press the "**GRILL / COMBI.**" key once, and "G-1" display.
2. Press "**GRILL / COMBI.**" for times or turn " " to select the grill power. Stop turning when "G-1" displays.
3. Press "**START / +30SEC. / CONFIRM**" to confirm.
4. Turn " " to adjust the cooking time. The time setting should be 0:05-95:00.
5. Press "**START / +30SEC. / CONFIRM**" to start cooking.
6. **Note:**
 - a. If half the grill time passes, the oven will sound twice to tell you to turn over the food to its other side. Optionally, you can just leave it continue as is. But in order to have a better effect of grilling food, you probably should turn the food over to its under side, close the door, and then press "**START / +30SEC. / CONFIRM**" to continue cooking.

Combination Cooking



1. Press the "**GRILL / COMBI.**" key once, and "G-1" display.
2. Press "**GRILL / COMBI.**" for times or turn " " to select the grill power. Stop turning when "C-1", "C-2", "C-3" or "C-4" displays.
3. Press "**START / +30SEC. / CONFIRM**" to confirm.
4. Turn " " to adjust the cooking time. The time setting should be 0:05-95:00.
5. Press "**START / +30SEC. / CONFIRM**" to start cooking.

Combination Instructions

Instructions	Display	Microwave	Grill	Convection
1	C-1	●		●
2	C-2	●	●	
3	C-3		●	●
4	C-4	●	●	●



Convection Cooking (with Preheating)

The convection cooking can let you to cook the food as a traditional oven. Microwave is not used. It is recommended that you should preheat the oven to the appropriate temperature before placing the food in the oven.

1. Press the "**CONVECTION**" key once, "140" flash.
2. Keep pressing "**CONVECTION**" or turn " " to select the convection function. Note:the temperature can be chosen from 140 degrees to 230 degrees.
3. Press the "**START / +30SEC. / CONFIRM**" to confirm the temperature.
4. Press the "**START / +30SEC. / CONFIRM**" to start preheating. When the preheated temperature is achieved, the buzzer will sound twice to remind you to put the food into the oven. The preheated temperature is then displayed and will flash on your screen.
5. Put the food into the oven and close the door. Turn " " to adjust the cooking time. The maximum time setting is 95 minutes.
6. Press the "**START / +30SEC. / CONFIRM**" key to start cooking.
7. **Note:**
 - a. Cooking time cannot be inputted until the preheating temperature is achieved. Once the temperature is achieved, door must be opened to input the cooking time.
 - b. If the time not input in 5 minutes, the oven will automatically stop preheating. The buzzer sound five times and turn back to its idle state.

Convection Cooking (without Preheating)

The convection cooking can let you to cook the food as a traditional oven. Microwave is not used. In some cases, you may choose to use your microwave for convection cooking without the option of preheating.

1. Press the "**CONVECTION**" key once, "140" flash.
2. Keep pressing "**CONVECTION**" or turn "" to select the convection function.
3. **Note:** The temperature can be chosen from 140 degrees to 230 degrees.
4. Press the "**START / +30SEC. / CONFIRM**" to confirm the temperature.
5. Turn "" to adjust the cooking time. The maximum time setting is 95 minutes.
6. Press the "**START / +30SEC. / CONFIRM**" key to start cooking.




Multi-Stage Cooking

Three stages can be maximally set. If you would like to set defrost as a stage in the cooking process, it should be set as the first stage. The buzzer will ring once after each stage is complete, before the next stage of cooking is about to start.

Note: Auto menu and preheating functions cannot be set as one of the stages.

Example:

If you would like to defrost the food for 5 minutes, and then to cook with 80% microwave power for 7 minutes, you should take the following steps:





1. Press "**W.T. / TIME DEFROST**" twice, the screen will display "dEF2".
2. Turn "" to adjust the defrost time of 5 minutes.
3. Press "**MICROWAVE**" once.
4. Turn "" to choose 80% microwave power till "P80" display.
5. Press "**START / +30SEC. / CONFIRM**" to confirm;
6. Turn "" to adjust the cooking time of 7 minutes;
7. Press "**START / +30SEC. / CONFIRM**" to start cooking.

Preset Programme Cooking



1. Ensure that the clock is set. See the instructions on how to set the clock if you have not already done so.
2. Input the cooking programme; three stages can be set at most.
3. **Note:**
 - a. Defrost should not be set in preset function.
 - b. Auto menu can be used in single-stage cooking only.

Example:

If you want to cook with 80% microwave power for 7 minutes, you should take the following steps:

1. Press "**MICROWAVE**" once.
2. Turn " " to choose 80% microwave power until "P80" is displayed.
3. Press "**START / +30SEC. / CONFIRM**" to confirm.
4. Turn " " to adjust the cooking time of 7 minutes.
5. After the above steps, do not press "**START / +30SEC. / CONFIRM**".
6. Press "**CLOCK / PRE-SET**", the current time will display itself and the hour figure will flash.
7. Turn " " to adjust the hour figures, the input time should be within 0—23 (24-hour) or 1—12 (12-hour).
8. Press "**CLOCK / PRE-SET**", and the minute figures will flash.
9. Turn " " to adjust the minute figures, the input time should be within 0—59.
10. Press "**START / +30SEC. / CONFIRM**" to finish setting. ":" will light, buzzer will ring twice when the time arrives and cooking will start automatically.
11. **Note:** Clock must be set first. Otherwise, preset function will not work.



Auto Menu

1. In waiting state, turn " " right to choose the function wanted, and "A1", "A2", "A3", ..., "A10" will be displayed.
2. Press "**START / +30 SEC. / CONFIRM**" to confirm the menu you need.
3. Turn " " to choose the weight of menu, and "g" indicator will light.
4. Press "**START / +30 SEC. / CONFIRM**" to start cooking.
5. **Note:** Cake menu is under convection cooking with 180 °C -warm-up function, and you should preheat first following the auto menu operation, when the oven reaches the temperature, it will stop working and sound to remind opening the door to put cake in, then press "**START / +30 SEC. / CONFIRM**" to start cooking.



Auto Menu Chart

	Weight (g)	Display	Power
A1 Reheat	150	150	100%
	250	250	
	350	350	
	450	450	
	600	600	
A2 Potato	1 (about 230g)	1	100%
	2 (about 460g)	2	
	3 (about 690g)	3	
A3 Meat	150	150	100%
	300	300	
	450	450	
	600	600	
A4 Vegetable	150	150	100%
	350	350	
	500	500	
A5 Fish	150	150	80%
	250	250	
	350	350	
	450	450	
	650	650	
A6 Pasta	50(with water 450ml)	50	80%
	100(with water 800ml)	100	
	150(with water 1200ml)	150	
A7 Soup	200	200	100%
	400	400	
	600	600	
A8 Cake	475	475	Preheat at 180 degrees
A9 Pizza	200	200	C-4
	300	300	
	400	400	
A10 Chicken	500	500	C-4
	750	750	
	1000	1000	
	1200	1200	

Defrost by Weight

1. Press "**W.T. / TIME DEFROST**" pad once; the oven will display "dEF1".
2. Turn "" to select the weight of food. At the same time, "g" will lights, the weight should be 100-2000g.
3. Press "**START / +30SEC. / CONFIRM**" key to start defrosting "" and "******" indicators will flash and "g" indicator will go out.


Defrost by Time

1. Press "**W.T. / TIME DEFROST**" key twice, the oven will display "dEF2".
2. Turn "" to select the cooking time. The maximum time setting is 95 minutes.
2. Press "**START / +30SEC. / CONFIRM**" key to start defrosting. "" and "******" indicators will flash.
3. **Note:** If the food to be heated weighs no more than 200g, please place the food at the edge of the glass turntable but not the centre to be defrosted.

Quick Cook

1. In waiting state, press "**START / +30SEC. / CONFIRM**" key to cook with 100% power level for 30 seconds. Each press on the same key increases the time setting by a 30-seconds. The maximum cooking time is 95 minutes.
2. During microwave, grill, convection and combination states, press "**START / +30SEC. / CONFIRM**" key to cook with 100% power level for 30 seconds. Each press on the same key increases the time setting by a 30-seconds.
3. **Note:** This function does not work under defrost, auto menu and multi-stage cooking modes.

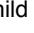
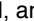
Quick Selection Microwave Cooking

When the microwave is idle, turn "" left to choose cooking time directly then press "**START / +30SEC. / CONFIRM**" key to cook with 100% microwave power. This programme can be set as one of multi-stage.

Power Level Status

1. While the microwave is cooking, you can press "**MICROWAVE**", "**GRILL / COMBI.**" or "**CONVECTION**", the current power level will be displayed for approximately 3 seconds.
2. In the microwave's preset state, you can press "**CLOCK / PRE-SET**" to check the time setting for delay start cooking. The preset time will flash for approximately 3 seconds, after which the microwave oven will return to its normal clock display.
3. During any cooking state, press "**CLOCK / PRE-SET**" to check the current time. It will be displayed for approximately 3 seconds.

Child Lock

1. **To Lock:** In the microwave's idle state, press "**STOP / CLEAR**" for 3 seconds; there will be a long "beep" indicating that you have successfully engaged the child lock and the "" indicator will light, with the LED display will indicating the current time or 0:00.
2. **To Unlock:** In the locked state, press "**STOP / CLEAR**" for 3 seconds to release the child lock, after which there will be a long "beep" denoting that the lock is released, and the "" indicator will disappear.

Trouble shooting

Normal	
Microwave oven interfering TV reception	Radio and TV reception may be interfered when microwave oven operating. It is similar to the interference of small electrical appliances, like mixer, vacuum cleaner, and electric fan. It is normal.
Dim oven light	In low power microwave cooking, oven light may become dim. It is normal.
Steam accumulating on door, hot air out of vents	In cooking, steam may come out of food. Most will get out from vents. But some may accumulate on cool place like oven door. It is normal.
Oven started accidentally with no food in.	It is forbidden to run the unit without any food inside. It is very dangerous.

Trouble	Possible Cause	Remedy
Oven can not be started.	(1) Power cord not plugged in tightly.	Unplug. Then plug again after 10 seconds.
	(2) Fuse blowing or circuit breaker works.	Replace fuse or reset circuit breaker (repaired by professional personnel of our company)
	(3) Trouble with outlet.	Test outlet with other electrical appliances.
Oven does not heat.	(4) Door not closed well.	Close door well.
Glass turntable makes noise when microwave oven operates	(5) Dirty roller rest and oven bottom.	Refer to "Maintenance of Microwave" to clean dirty parts.

IMPORTANT

Do Not Dispose this Appliance by Yourself!

According to Waste of Electrical and Electronic Equipment (WEEE) directive, WEEE should be separately collected and treated. If at any time in future you need to dispose of this product please do not dispose of this product with household waste. Please send this product to WEEE collecting points where available.



Technical Specifications

Model	AC925BFY
Rated Voltage	240V~50Hz
Rated Input Power (Microwave)	1450W
Rated Output Power (Microwave)	900W
Rated Input Power (Grill)	1100W
Rated Input Power (Convection)	2500W
Oven Capacity	25L
Turntable Diameter	315mm
External Dimensions	L595 x W460 x H470 (mm)
Net Weight	Approx. 20.8 kg

Warranty and Service

You automatically receive a default 6-month product warranty with the purchase of this product, by presenting us with a legitimate proof of purchase at point of service. For the full standard product warranty of 2 years, you are required to register with us by sending us the registration portion of your warranty card. The option of online warranty registration is available from 1st January 2011 onwards, on our website, www.pacifica.my.

The standard product warranty covers parts and labour for servicing within the country of purchase, not including perishable accessories such as halogen bulbs, mesh filters and charcoal filters, etc.

Pacifica Appliances undertakes to repair or, at its option, replace without cost to the owner either for material or labour any part of the product, the serial number of which appears on the product, which is found to be defective within 2 years of the date of purchase. This warranty does not cover service calls to which are not related to manufacturer defect in the product. The cost of a service call will be charged if the problem is not found to be a product fault.

Examples of cases to which the standard product warranty does not cover and additional service, parts and labour charges may apply:

1. Correcting the installation of the product.
2. Instructing you how to use the product.
3. Replacing house fuses or correct house wiring or plumbing.

4. Correcting fault(s) caused by the user.
5. Noise or vibration that is considered normal, e.g. drain / fan sounds, regeneration noises or user warning beeps.
6. Correcting damage caused by pests, e.g. rats, cockroaches etc.
7. Defects caused by normal domestic use or usage not in accordance with the manual or by accident, neglect, misuse, abuse or Act of God.
8. Normal recommended maintenance as set out in the manual.
9. Repairs when the appliance has been dismantled, repaired or serviced by other than an authorised service technician or the selling dealer.
10. Pick-ups and deliveries.
11. Transportation or travelling costs involved in the repair when the product is installed outside the service coverage areas.
12. This product has been designed for use in a normal domestic environment. It is not intended for commercial use. Doing so may affect product warranty.
13. Service under this manufacturer's warranty must be provided by an authorised service technician. The cost of repairs carried out by non-authorised repairers or the cost of correcting such unauthorised repairs.

Contact Us

Before you call for service or assistance, it helps to check the things you can do yourself. Refer to the installation instructions and this manual and check that:

1. Your product is correctly installed.
2. You are familiar with its normal operation.

If after checking these points you still need assistance, call your Pacifica authorised retailer who is trained to provide information on your appliance, or if we can be of any further help, please contact us directly:

Pacifica Appliances Sdn. Bhd. / GE Green Pacific Sdn. Bhd.

Address: Pacifica BluHub
8 Jalan TSB2, Taman Industri Sg. Buloh
Kota Damansara, 47000 Petaling Jaya
Malaysia
Telephone +603-615-777-25
Fax +603-615-777-52
Email info@pacifica.my


Pacifica Appliances, through GE Green Pacific Sdn. Bhd., has a network of independent Pacifica Authorised Service Technicians, who are trained technicians can carry out service necessary on your appliance.


If you call or write, please provide us with your full name, address, model number, serial number, date of purchase and a description of the problem. This information is needed in order to better respond to your request for assistance.


© 2010 Pacifica Appliances Sdn. Bhd. All rights reserved. No part of this publication may be reproduced, transmitted, transcribed, stored in a retrieval system or translated into any language or computer language, in any form or by any means, electronic, mechanical, magnetic, optical, chemical, manual or otherwise, without the prior written permission of Pacifica Appliances Sdn. Bhd. Pacifica Appliances Sdn. Bhd. makes no representations or warranties, either expressed or implied, with respect to the contents hereof and specifically disclaims any warranties, merchantability or fitness for any particular purpose. Further, Pacifica Appliances Sdn. Bhd. reserves the right to revise this publication and to make changes from time to time in the contents hereof without obligation to notify any person of such revision or changes.

Menara Lien Hoe (HQ)

Lot 11.3, 11th Floor,
Menara Lien Hoe,
8, Persiaran Tropicana,
47410 Petaling Jaya,
Selangor.

 03-780-577-25

 03-780-577-25

 012-228 5727

 info@pacifica.my

 service@pacificamalaysia.com

 pacifica.my

 **pacifica**