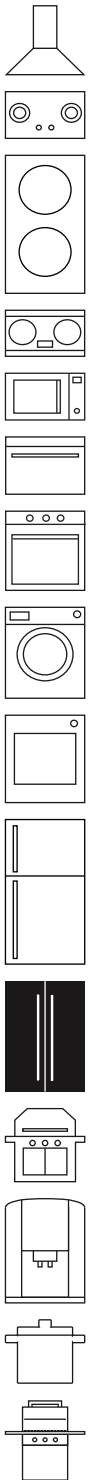



PTW10 Raphael
Freestanding 12 - Bottles Thermoelectric Winecellar



REMINDER:
This unit is best suited to
be used in an environment
temperature of 25-27 °C

 **25 °C**
to
27 °C
environment

Please refer to the instruction manual

KEEP IN A SAFETY PLACE
Before operating this winecellar,
Please read the instruction carefully

Congratulations!

Your purchase of a PACIFICA ® product attests to the importance you place upon the quality and performance of the major appliances you use. With minimal care, as outlined in this guide, your product is designed to provide you with years of reliable service. Please take a few minutes to learn about its proper and efficient use and care. This guide will provide you with the information you need to become familiar with your product's care and operation. Your complete satisfaction is our ultimate goal.

If you have any questions or comments about this product, please contact the dealer from whom you purchased it, or contact our Consumer Support Centre at 603-7805 7725. We appreciate your choice of our product, and hope that you will again select our products for your other major appliance needs. For more information about the complete and growing selection of PACIFICA products, contact your nearest dealer or e-mail us at info@pacifica.my

⚠ WARNING

To reduce the risk of fire, electrical shock, or injury when using your appliance, please follow these basic precautions.

CONTENTS

Important Safety Instructions	pg4
a. Electrical safety	pg4
b. During installation & use	pg4
c. During used	pg5
d. Children	pg6
e. To protect the appliance	pg7
f. Appliance maintenance	pg7
g. Other safety notes	pg7
Specification	pg8
Appliance overview	pg9
Installation notes	pg9
a. Electrical requirements	pg10
b. Installation steps	pg10
Maintenance and cleaning	pg11
a. Cleaning the appliance	pg11
b. Cleaning the filter	pg11
c. Replace new bulb	pg12
Troubleshooting	pg12
Protect the environment	pg13

IMPORTANTSAFETYINSTRUCTIONS

WARNING:

The user has to read all the stated instructions in this manual before the installation or use of this wine cooler in order to prevent unnecessary body injury and damages on the appliance. This appliance is intended for residential use only therefore please use this wine cooler for its intended purpose only. This appliance conforms to the local uniform safety codes and regulations.

The manufacturer will not be responsible for the damages or injury caused by improper use of this appliance. The manufacturer and/or distributor/reseller decline the responsibility in the event of failure to observe the instructions given here for installation and maintenance of the product. The manufacturer and/or distributor/reseller further decline the responsibility for injury due to negligence, the warranty of the unit automatically expires and improper maintenance.

The user of this appliance has to keep these operating instructions in a safe place for future reference and pass them on to any future user for their safety concern.

Electrical Safety

1. Before the installation of this appliance, the user has to make sure that the voltage and frequency listed on the data plate correspond with the household electrical supply. This data must correspond to prevent injury and machine damage. Consult a qualified electrician or the authorised dealers if there is any doubt.
2. All electrical wiring must be properly installed, insulated and grounded.
3. Before installation or service, the installer has to disconnect the power supply to the work area by removing the fuse or turn off the power main. Ensure that the power will not return to the appliance during maintenance or repair work.
4. Make sure the appliance is properly installed and grounded by the authorised technician. To assure the electrical safety of this appliance, continuity must exist between the appliance and an effective grounding system. If there is any doubt, please consult a qualified electrician. The manufacturer cannot be held responsible for damage or injury caused by an improper grounding system.
5. Never use an extension cord to connect this appliance to electricity as the extension cords do not guarantee the required safety of the appliance.
6. Do not activate this appliance with a damaged cord or plug, or if the appliance has been damaged in any manner. Return this appliance to the nearest authorized service facility for examination and repair.

During installation&use

1. Inspect the wine cooler for shipping damage before installation. Do not install or operate a damaged unit and contact the Pacifica dealer if there is any damage found.
2. This appliance should be installed at a safe, stable and flat surface for users to access it safely. This is to avoid unnecessary injury and for easier access.

3. This appliance is not designed for maritime use or mobile installations in any vehicles or aircraft. It is only possible with certain conditions; please consult the Pacifica Technical Department for further advice and specific requirements.
4. This appliance is made and intended for household use only and should not be used for commercial purposes.
5. This appliance must only be activated after it has been properly installed. This is needed to ensure that all electrical components are accurately shielded.
6. Only use this wine cooler for its intended purpose. Any other use is at the owner's risk as the manufacturer will not bear any responsibility for this.
7. Due to the large size and weight of this wine cooler, two persons are needed for the installation.
8. This wine cooler may have very sharp edges; please wear protective gloves during installing, cleaning or servicing if necessary.
9. Use this appliance for wine storage only. Do not use it to store hazardous or explosive materials and liquid.
10. Make sure this appliance is placed in a well ventilated area with room temperature that does not exceed 27 degree Celsius.
11. Do not store other alcoholic based items such as medical spray, perfume, air fragrance and etc.
12. Do not place this wine cooler at the walking corridor, closed room, garage and other closed spaces.
13. Do not cover this wine cooler with cloth, paper and etc. as this wine cooler needs to be well ventilated to remove its heat.
14. Check all joints of this appliance to ensure proper connection and sealing in order to make sure the cold air inside the appliance does not leak out.
15. The installation, repair and maintenance work should be carried out by the Pacifica authorized technician or service professional. The installation, repair and maintenance work done by the unauthorised individuals could be dangerous and it may void the given warranty.
17. This appliance must be installed at a proper distance away from the walls around it. There is a recommended distance must be maintained (usually 2 – 3 cm on all sides of the wine cooler).
18. All the flammable materials, heating appliance(s), machines and heavy objects must be kept away from this appliance. Do not place anything on top of this appliance and never use the top part as a place for putting decorations and etc.

During used

1. Make sure there is sufficient room for ventilation when the wine cooler is in used.

2. Turn the temperature setting according to the types and number of wine bottles inside the appliance. (Tips: 15 – 18 °C for all types of wine)
3. Never leave the wine cooler's door open for long as the cold air will leak out and the hot air may go in and this will affect the wine storage quality.
4. Only adjust the temperature setting to the lowest whenever it is necessary (for ice wine or for white wine before serving).
5. Please be aware the wine cooler comes with LED lighting and only turns it on whenever it is needed. This is to save the electricity consumption in long run and also to extend the lifespan of the illumination.
6. Please be extra careful when there is other heating appliance in the same room or area where the wine cooler is. Harmful gases and fumes from another heating appliance may be drawn in to the wine cooler and may cause fatal damages on the stored wines.
7. To allow 2 or more wine coolers operate simultaneously in the same room, the minimum safety distance between them is 6 cm away from each other. This is to ensure all the wine coolers can operate normally.
8. When the wine cooler is in use, please make sure that do not put in too many bottles of wine into it at the same time, especially when the wines were just removed from the car or package as the heat from the bottles may affect the wine cooler's compartment's coldness. Try to put them in separately at different times.
10. Ensure the filters are well installed during operation so the dust and dirt will not get into the appliance excessively which will affect its performance and clog up the cooling system.
11. Make sure the ventilation gaps are not blocked and well ventilated. If not, the appliance may get heat up and cause more power consumption and the appliance may be damaged as well.

Children

1. To reduce the injury of children, do not allow children to play with or stay around the wine cooler. Children are not allowed to operate this appliance on their own or even with the adult's guidance.
2. Do not store items of interest to children on or near or in this appliance. The children could be seriously injured if they try to reach the items by going near this appliance especially when it is in use.
3. Ensure the plastic wrappings of this appliance are disposed off safely and kept out of the reach of children.
4. Before discarding an old appliance or this appliance, please disconnect it from the power supply, take out the power cord and prevent the children to have contact with the wine cooler.

Toprotecttheappliance

1. Do not use it to store cooked food or hot liquid, flammable materials, toxic items, hazardous or explosive materials and etc.
2. Do not leave items that may turn rust at the wine cooler as this can lead to corrosion to the appliance.
3. Do not lean, sit or place heavy items on the appliance as it cannot carry or stand heavy weight.
4. Do not uses any oil or grease on the door seal as it corrode the door seal in long run.

Appliancemaintenance

1. Clean and wipe the appliance and its filters regularly on weekly or monthly basis. This is needed to further extend the appliance's lifespan.
2. Do not use a steam cleaner to clean this appliance as the heating steam from the steam cleaner could penetrate through the wine cooler's components and permanently damage the wine cooler and its parts or even cause injury back to the user.
3. Keep the fan, filters and other parts clean to further the lifespan of the appliance.
4. Do not open the housing of this wine cooler as tampering the electrical connections, parts and other components inside are very dangerous to the user and it may spoil the wine cooler as well.
5. For wine cooler technical service and maintenance, please call Pacifica Technical Department and make an appointment as it is much safer for the professional to do it.
6. Please keep this appliance away from cockroaches or any vermin infestation area and make sure the appliance's surrounding is always clean and dry as to avoid damages by vermin. The guarantee does not cover damages caused by vermin and animal.
7. Make sure the filter(s) are clean regularly as the saturated filter(s) will block the necessary air ventilation for the cooling system and operating circuit board.

Othersafetynotes

1. If there is any defect or damage occur, please turn off the appliance immediately and shut off the power supply and contact the Pacifica Technical Service Department for repairing and servicing. Do not open the wine cooler's door as to maintain the coldness inside the unit.
2. When the appliance is under warranty repairs, the fixing should only be performed by a Pacifica authorized service technician. Otherwise, the given warranty of this appliance will be void.
3. Do not interfere the electrical connections, components and mechanical parts and never open the outer casing of the appliance unless it is done by the Pacifica authorised service personnel. Otherwise, the given product warranty will be void.

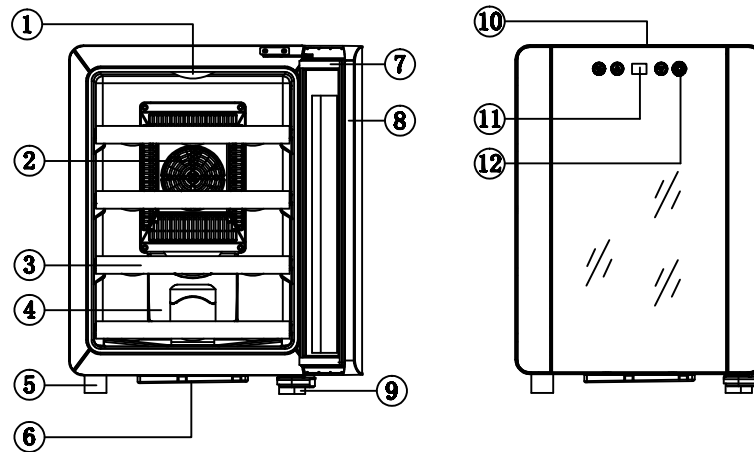
4. Make sure the power and electric cords of other electrical appliances do not come in contact with the wine cooler as the cords could be damaged and cause danger.
5. To avoid electric shock and other damages, please keep the appliance's cord away from any liquid and other electrical appliances as well. Do not let the cord hang over on the edge of furniture or place in contact with any hot surfaces.
6. The use of accessories that are not recommended by Pacifica may cause damage to the appliance itself and injury to the user.
7. This appliance is not intended to be used by individuals (including children) with reduced physical, sensory or mental capabilities, or lack of experience and knowledge, unless they have been given supervision or instructions concerning use of the appliance by a person responsible for their safety.
8. This wine cooler is intended for indoor use with not more than 27 degree Celcius ambient temperature. Installing it in an area with higher room temperature may lead to low performance of the unit or even spoil it.

SPECIFICATION

PTW10:

Model no.	PTW10
Capacity	33L / 12 bottles
Voltage	220V – 240V AC
Current	0.5A (25°C/ 77°F)
Input power	70W (25°C/ 77°F)
Power Consumption(KW.h/24h)	0.5 (16°C/ 61°F)
Max Temperature Difference	> 13°C (56°F)
Temperature Control Range	10-18°C (50-66°F)
Net weight	11.5 KG
Gross weight	13.5KG
Shape size(W×H×D)	340 × 475 × 500 mm
Packing size(W×H×D)	440 × 570 × 597 mm

APPLIANCE OVERVIEW



- | | |
|---------------------|-------------------------------|
| 1. LIGHT | 7. MAGNETIC SEAL |
| 2. FAN MASK | 8. DOOR FRAME |
| 3. SHELF | 9. REAM COVER |
| 4. WATER BOX | 10. DOOR HANDLE |
| 5. FOOT | 11. TEMPERATURE CONTROL PANEL |
| 6. BOTTOM WATER BOX | 12. LIGHT SWITCH |

INSTALLATION NOTES

Before installation, it is very important and needed to read and understand the stated safety notes, instructions and related information in this manual. This is to ensure the appliance could be installed appropriately and the user would use it in a proper method in order to avoid any unnecessary injury and damages. To avoid any risk, the wine cooler should be installed according to the stated instructions and notes in this manual.

Before using this wine cellar, make sure you did the followings:

1. Remove the exterior and interior packing
2. Check to make sure the following parts are included:
 - o 4 Sliding shelves.
 - o 1 Instruction manual.
3. Before connecting the appliance to the power source, let it stand upright for at least 2 hours. This will reduce the possibility of a malfunction in the cooling system after the fluctuating transportation and installation phase.
4. Clean the interior surface with warm water and soft cloth.
5. Place your appliance on solid ground or firm surface that is strong enough to support the appliance when it is fully loaded. To level your appliance, adjust the front legs at the bottom of this appliance.

6. Place appliance away from direct sunlight and sources of heat (stove, heater, radiator, etc.) as it may cause the appliances to perform poorly. Direct sunlight may affect the acrylic coating and the heat source from sunlight may increase electrical consumption of the appliance.

It is recommended that you installed the wine cellar in a place where the ambient temperature is between 25-27°C.

- If the ambient temperature is above or below recommended temperatures, the performance of the unit may be affected. Placing this appliance in extreme cold or hot conditions may cause the interior temperature to fluctuate. The range of 10-18°C (50-66°F) may not be reached.
- The temperature may fluctuate depending on whether or not the interior light is on or off or whether the bottles are located on the upper, middle or lower section.

How to use the press-buttons on the Display Panel:

- You can set the temperature according to your own preference. There are two buttons on the panel, “▲” and “▼” which are for adjusting the temperature by 1°C increments, between 10-18°C (50-66°F).
- You can turn the interior light on or off by pressing the “Light” button.

Electrical requirements

1. The electrical work should be carried out by a suitably qualified and authorised professional in strict accordance with the current local and national safety regulations.
2. Make sure the appliance is not connected to the power supply while during the installation.
3. Do not connect the appliance to the extension lead of a power socket as this will not guarantee safety of using this appliance.
4. Check the power supply of the house and make sure it is match with the appliance. The connection data is listed on data plate on the wine cooler.
5. Install this appliance with a proper 3 pins plug that match local and national safety standard and make sure the power is easily accessible after the appliance has been completely built in.
6. Make sure the wine cooler is properly grounded and never remove the ‘ground’ from the 3-pins plug.

Installation steps

1. Please take note of the user who use this wine cooler most often and make sure there is enough for ventilation around the wine cooler and the user is able to reach the power socket & plug easily at the same time.
2. As this appliance is heavy, please make sure that the supporting of the floor or moving

board is strong enough and stable.

3. Do not put anything to cover the exterior of the wine cooler as it may affect the heat dispersion of the appliance.
4. Remove the hazardous objects around the area during the installation.
5. Make sure the filter(s) at the back of the wine cooler is easy accessible as it needs to be cleaned regularly to ensure the appliance runs efficiently.
6. As the wine cooler armed with glass door, please handle it with extra care and do not put excessive pressure onto the glass.

MAINTENANCE&CLEANING

Do not start any maintenance and cleaning work unless the appliance is disconnected from the power supply. Make sure the power is turned off and the plug is withdrawn out from it completely.

Cleaningtheappliance

1. Clean the appliance casing periodically with light soapy water and clean cotton cloth.
2. Do not use corrosive or abrasive detergent and steel wool or scoring pads, which will scratch and damage the surface. For heavier soil, please use only the mild degreaser with warm water to clean it.
3. For aluminium surface, user may use mild detergent to clean it. Please avoid the cleaning solution penetrate into the control panel. Do not leave the cleaner on the appliance too long as this may damage to the surface. Use soft towel to wipe off the cleaning solution, gently rub off any stubborn spots. Use clean and dry soft towel to dry the appliance.
4. Do not allow stains and dirt to accumulate on the appliance casing.
5. Do not use ordinary steel wool or steel brushes as it may scratch off and damage the surface. These scratches and damaged parts may cause rusting in long run.
6. Do not allow salt solutions, disinfectants, bleaches, or cleaning compounds to stick on the wine cooler. Many of these compounds contain chemicals, which may be harmful to the casing. To clean these compounds, rinse it with water and wipe it dry with a clean soft cloth.
7. Do not use stainless steel cleaner on the control panel as it may spoil the surface of it or discolour it.

Cleaningthefilter

1. The filters fitted by the factory are intended to filter out dust and dirt from the surrounding area. It need not be replaced on a regular basis but are required to be kept clean frequently.

2. The filters are recommended to be cleaned at weekly or at least monthly basis. If the area is very dusty then the filter has to be cleaned more often than the recommended basis.
3. To clean the filters, the user can wipe it with clean cloth or rinse it with clean water.
4. It is better to dry the filter after cleaning before they place back to the wine cooler. The filters have to place back right after cleaning to avoid dust enter into the appliance.
5. The damaged filter has to replace immediately, the filter could be purchase from Pacifica Service Centre or the authorised dealers.
6. Do not use abrasive detergent, powder cleaner, oven cleaner, cream cleaner and any other corrosive cleaning agent that will damage or discolour the filters.
7. Depend on the cleaning detergent used, to clean the filters in a dishwasher can cause permanent discolouration to the filters. However, the filters could still be used as the structure is not damage.

Caution: A saturated and unclean filter could result in fire hazard.

Replacenewbulb

1. This wine cooler model PTW10 is using the LED bulbs for illumination.
2. Do not starts replace the bulb unless the appliance is disconnected from the power supply. Make sure the power is turned off and the plug is withdrawn out from it completely.
6. Remove the cover before fit in the new light bulb and place back the cover after replacement is done.
7. Connect the appliance back to power supply and turn the light on to test it.

TROUBLESHOOTING

Problem	Possible cause	Solution
The wine cellar is not functioning	- Wine cellar is not connected or the power cord does not work properly.	- Make sure the wine cellar is connected to power source firmly.
	- The power cord is damaged.	- Contact Pacifica Service Dept for advice
	- The power supply of the socket does not suit the appliance	- Contact Pacifica and Pacific Service Dept for advice
	- The circuit board is spoilt	- Contact the service team to repair the circuit board or replace it

	- The compressor is spoilt	- Contact the service team to replace a new compressor
The internal compartment is not cold enough	- The fixed temperature is not low enough	- Readjust the storage temperature
	- The ambient temperature is very high (more than 27°C)	- Shift the wine cellar to a cooler place
	- The wine cellar is exposed to sunlight or other heating source	- Shift the wine cellar away from sunlight and other heating source
	- The door(s) open too often	- Do not open the door(s) often and make sure the door(s) is closed firmly all the times
	- The door seal is damaged	- Contact the service team to replace a new door seal
	- The wine cellar does not has enough clearance at both left and right and back sides	- Minimum of 5cm clearances are needed on both left and right and back sides of the wine cellar. Some model may need greater clearance.
	- The wine cellar was fitted with too many warm bottles at the same time	- Remove the warm bottles and wait till the compartment is cold again and place in the bottles separately
	- The wine cellar was turn on right after it was moving (applicable to compressor unit only)	- Make sure the wine cellar has rested and remained unmoved for at least 8 hours then only it can be turn on
	- The coolant is leaking out (compressor unit only)	- Contact the service team to repair the leaking compressor and refill it
	- The filter(s) at the back of the wine cellar are clogged up by dust and dirt	- Clean and dry the filter and place it back accordingly
The illumination is not working	- There is no power supply	- Make sure the wine cellar is connected to the power supply firmly
	- The light button is jammed	- Try to pull the button and press again. If it fails again, contact the service team to repair it
	- The circuit board is spoilt	- Contact the service team to repair the circuit board
	- The light bulb is spoilt	- Replace it with a new bulb or contact the service team to replace it if the bulb is hard to find outside
The wine cellar is making noise	- The compressor is operating to cool down the internal compartment.	- It is absolutely normal and it will return silent after cooling down the internal compartment
	- The wine cellar is not level	- Adjust the feet of the wine cellar to make it level
	- The fan is not working	- Remove the dirt and object on

	properly and may be clogged by dirt or any other object	the fan. If there is no dirt or object found, contact the service team to repair it
The door cannot be closed firmly	- The wine cellar is not level	- Adjust the feet of the wine cellar to make it level
	- The door seal is not in good condition or has many dirt on it	- Clean the door seal and dry it and try to close the door again. If fail again, then contact the service team to replace a new seal
	- The shelves is not fitted properly	- Push back the shelves and make sure they are in proper position
	- The selected cooking function is not suitable for the recipe	- Select the proper cooking function
	- The door is installed badly	- Remove the door and reinstall it again. Contact the service team if necessary
The digital display is not working	- The circuit board is spoiled	- Contact the service team to repair or replace the circuit board
	- The display screen is damaged	- Contact the service team to repair it or replace a new display screen

In the event that the user cannot correct any of the stated or not stated technical problems, please do not hesitate to contact the Pacifica Service Department for further services or consultations.

Pacifica Appliances Malaysia – Tel: +603 – 780 577 25
Email: info@pacifica.my

Please reveal the product model, serial number and the warranty details of your appliance while you are talking to our Pacifica Customer Care.

PROTECTTHEENVIRONMENT


For disposing the packing material, please reuse the cardboard boxes and plastic wrappings and recycle only the biodegradable packing materials. Ensure the disposed or reused wrappings and any packing materials are out of reach by the children.


Before discarding an old appliance or this appliance after long used, make sure it is disconnected from the electricity supply, cut off the power cord and remove the door and the detachable parts inside it to prevent injury and other hazards. The old appliances or this appliance contain materials that can be recycled therefore please contact your local recycling centre for recycling these valuable materials as to reduce the wastage and pollution.



Menara Lien Hoe (HQ)

Lot 18.2, 18th Floor,
Menara Lien Hoe,
8, Persiaran Tropicana,
47410 Petaling Jaya,
Selangor.

 03-780-577-25

 012-228 5727

 info@pacificamyl

 pacificamyl

 **pacificamyl**